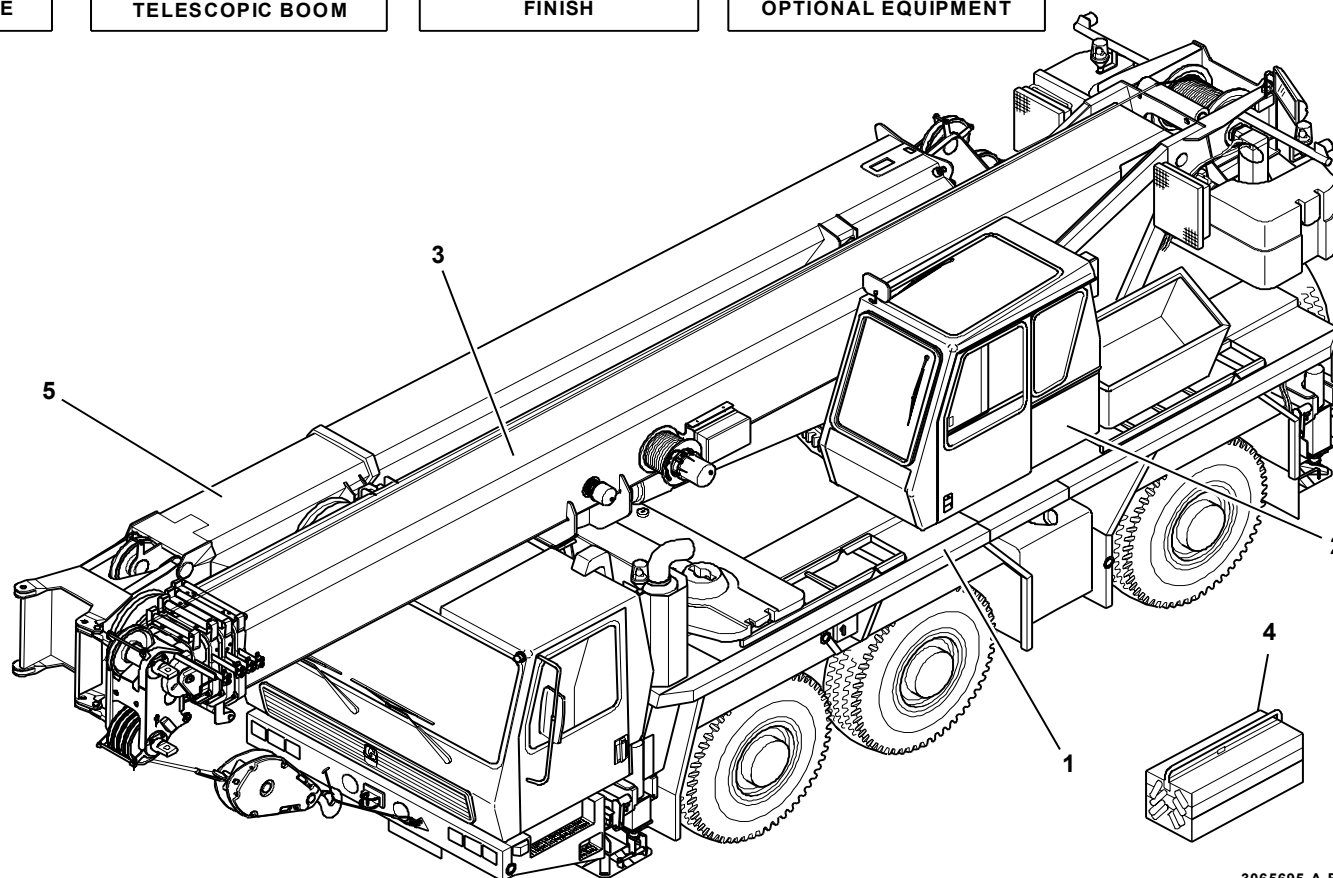
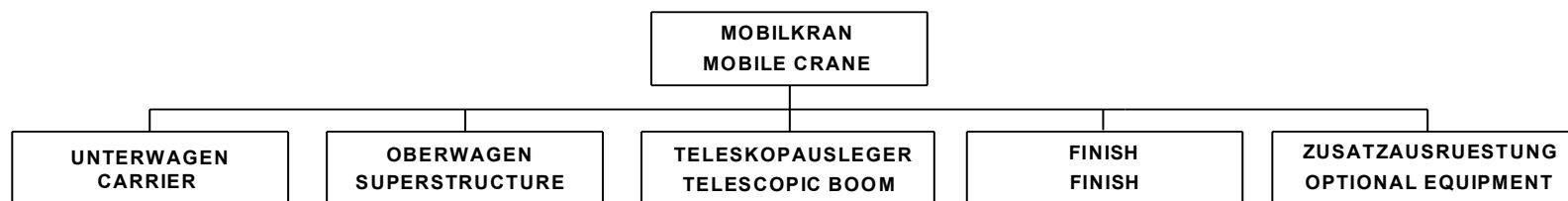


GROVEMOBILKRAN
MOBILE CRANEBILDТАFEL
PICTORIAL DISPLAY**GMK 3050**

07.04

3065695-ETL A

1/1



3065695-A-BL01-0704-3050